
Surefire 6P® Offset Flashlight Mount

NO-HASSLE WARRANTY:

Gear Sector™ guarantees our products to be free from defect in workmanship and materials for the lifetime of the original owner. We will repair, replace or refund your original purchase price of this product, at our sole discretion, if it is determined by us to be defective. Normal wear and tear is not covered, nor is damage resulting from abuse, neglect, or altering this product from its original state.

WARRANTY CLAIMS:

For repair or replacement, contact Customer Service at: 877-556-4327 (toll free). You will be required to complete a returns form located on the returns page of our website. Then package the product carefully and return (no CODs, please) to:

Gear Sector
Warranty Department
PO Box 47
Portage, IN 46368

Gear Sector™ will cover shipping costs to return the product to you.

COUNTERFEIT WARNING:

There have been numerous reported cases of counterfeit Gear Sector™ products on the market. They are most often found at online auction sites and local gun shows. These unauthorized copies are difficult to discern visually. However, be warned that they are made of inferior base materials that can and will fail.

We will not warranty counterfeit copies of our products. If after speaking to customer service, you choose to send an item in for warranty repair and it is found to be a counterfeit product, Gear Sector™ will not pay to return the item. If you want the item returned to you, you will be required to pay return shipping.

To ensure that you get authentic, competitively priced Gear Sector™ products, purchase them only from www.gearsector.com or an authorized Gear Sector™ reseller.

Surefire®, Magpul®, TangoDown® and Vibra-Tite® are registered trademarks of these respective companies. Mention of these companies does not constitute their endorsement of Gear Sector™.

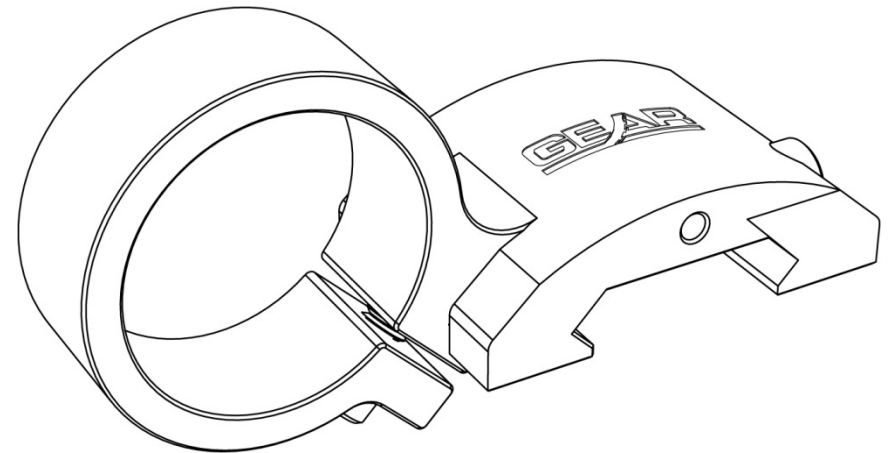


PO Box 47, Portage, IN 46368-0047
www.gearsector.com
877-556-4327

GS-310x

Surefire 6P® Offset Light Mount

USER MANUAL



Attaches to Picatinny Rails

Rev. 4-24-2014



Surefire 6P® Offset Flashlight Mount

INTRODUCTION:

The Patented [US Patent No. D644,706] Gear Sector™ offset flashlight mount was designed to provide a low profile, ergonomic solution for attaching a weapon light to a Picatinny rail. We designed the mount to fit perfectly flush with the Tango Down® rail panels for an uninterrupted rail space. This model fits the Surefire 6P® series lights as well as all 1" bodied lights. It comes complete with all mounting hardware, screws, hex keys, and Vibra-Tite® to make installation fast and easy. Mod 3 components feature a 25% reduction in weight as well as an 1144 StressProof® heat treated full width steel index.

Fits the following lights:

- ✓ Elzetta ZFL-60
- ✓ Surefire 6P®
- ✓ Surefire 6P® LED
- ✓ Surefire 6PX® Pro
- ✓ Surefire 6PX® Tactical
- ✓ Surefire 9P®
- ✓ Surefire G2X® Pro
- ✓ Surefire G2X® Tactical
- ✓ Surefire P2X Fury®
- ✓ Surefire P2X Fury® Defender®
- ✓ Surefire P2X Fury® Tactical

PACKAGE CONTENTS:

- 1ea. Surefire 6P® Offset Flashlight Mount
- 1ea. 9/64th hex key for securing mount to rail system
- 1ea. Vibra-Tite® VC3™ anti-vibratory compound.

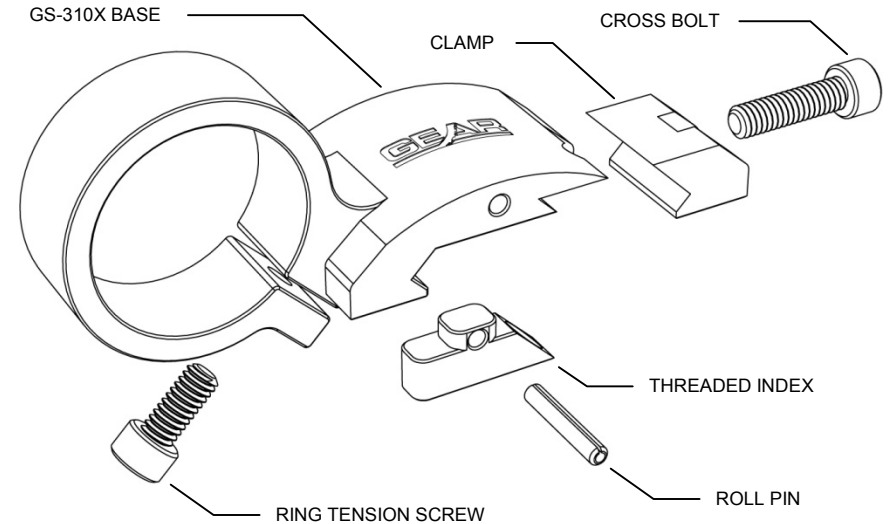
MATERIALS & CONSTRUCTION:

- Base Material: 6061-T6 Aluminum
- Base Finish: Military Specification (MIL-A-8625F) Type III, Class II Hard Coat and/or Cerakote™
- Index Material: 1144 StressProof® heat treated steel
- Index Finish: Nitrotec®
- Weight: 1.12 ozs.
- 100% Berry Amendment Compliant
- Proudly Made in the USA

⚠ WARNING: Confirm that weapon is unloaded and on SAFE before installation!

INSTALLATION:

1. Remove both socket head cap screws and clamp from the GS-310x base.
2. Apply a drop of Vibra-Tite® VC3™ (included) to the threads on all assembly screws and let sit until tacky - approximately 2-3 minutes.
3. Determine orientation and location where you plan to install the light on your rail system.
4. Install your light to the GS-310x base using the included 8x32 3/8ths socket head cap screw. Do not exceed maximum torque of 22 inch pounds on the ring retaining screw. If you do not have a torque driver capable of measuring in inch pounds, simply finger tighten and torque an additional 1/8th – 1/4 turn. Ignoring this limit may damage your light body.
5. Install the mount onto your rail system, insert screw / clamp assembly and torque it down with the included 9/64ths hex key. Do not exceed maximum torque of 40 inch pounds for the cross bolt. If you do not have a torque driver capable of measuring inch pounds, simply finger tighten and torque an additional 1/4 turn. Ignoring this limit may damage your mount.



AVAILABLE OPTIONS:

Our Surefire 6P® Offset Flashlight Mount is available in the following colors:

- ❖ GS-3105 – Black
- ❖ GS-3106 – Magpul® Flat Dark Earth
- ❖ GS-3107 – Magpul® Foliage Green
- ❖ GS-3108 – Magpul® Olive Drab
- ❖ GS-3109 – Patriot Brown